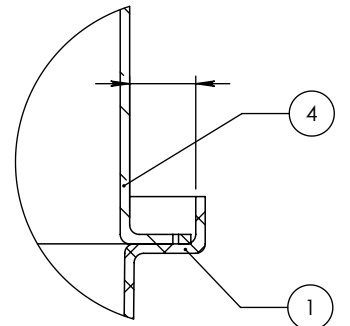
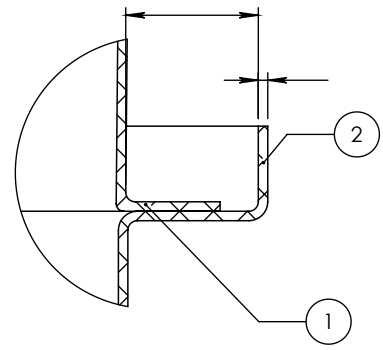


ITEM NO.	PART NUMBER	DESCRIPTION	Default/Qty
1	70.38.22	SMOOTH TUBE THROAT 400 I.D.	1
2	70.38.23	SLIP CHUTE 400 I.D. 1300MM LONG	1
3	70.38.24	FLOOR MOUNT	1
4	70.38.26	TRANSITION CHUTE 400 I.D.	1



DETAIL B  
SCALE 1 : 4



DETAIL C  
SCALE 1 : 4

SECTION A-A

TOLERANCES UNLESS OTHERWISE SPECIFIED:  
 UP TO 10 ± 0.25  
 OVER 10 UP TO 100 ± 0.5  
 OVER 100 ± 1  
 ALL ANGLES ± 1°

Property of Wastech Engineering PTY LTD.  
 The design is not to be copied or reproduced without  
 written approval from Wastech Engineering.

File: J:\STANDARD PRODUCTS\Chute Products\Smoothtube Vacuum System

DRAFTING STANDARD AS1100 - 1992 All Welds to A.S. 1554

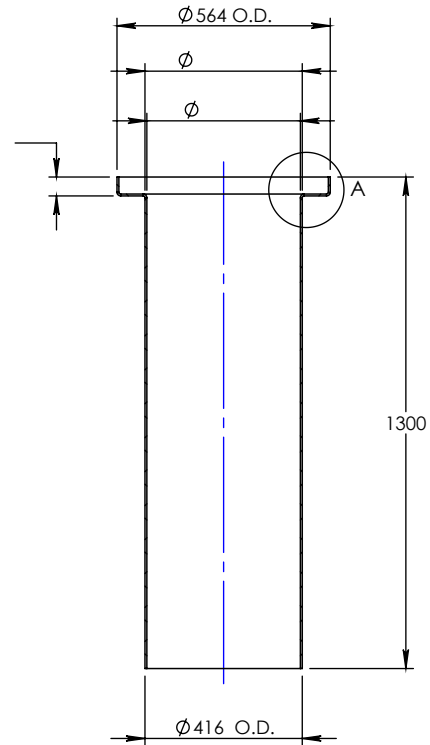
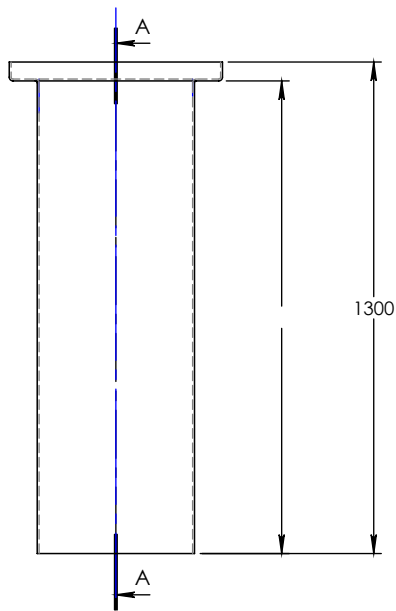
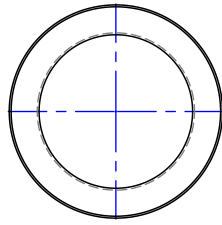
**WASTECH ENGINEERING**  
 33 Wedgewood Rd, Hallam  
 Victoria, Aust, 3803  
 Ph: +61 3 8787 1600  
 Fax: +61 3 8787 1670

MATERIAL: A.S.  
 FINISH: NATURAL

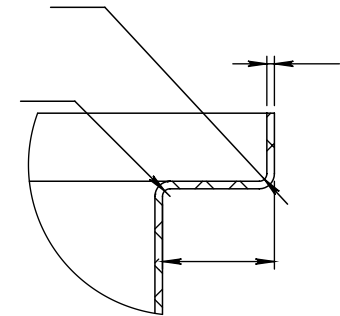
DRAWN: DN  
 CHECKED: S.F.  
 DATE: 08-10-2013  
 MASS: 55.01

TITLE: **SLIP CHUTE SYSTEM 400 I.D.  
 WASTECH ENGINEERING**

SCALE: 1:20  
 FILE: **70.38.21**  
 REV: 0  
 SHEET: 1 OF 3  
 A4



SECTION A-A



DETAIL A  
SCALE 1 : 5

TOLERANCES UNLESS OTHERWISE SPECIFIED:

UP TO 10 ± 0.25  
 OVER 10 UP TO 100 ± 0.5  
 OVER 100 ± 1  
 ALL ANGLES ± 1°



DRAFTING STANDARD  
 AS1100 - 1992

All Welds to A.S. 1554

MATERIAL: LLDPE  
 LL705

FINISH:  
 NATURAL

DRAWN: DN

CHECKED: S.F.

DATE: 7-10-2013

MASS: 8.27

SLIP CHUTE 400 I.D. 1300MM LONG  
 SMOOTH TUBE  
 WASTECH ENGINEERING

SCALE: 1:20

File: 70.38.23

REV. 0

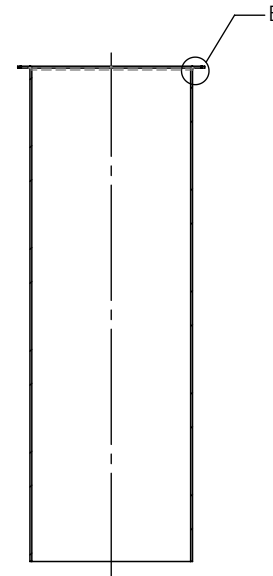
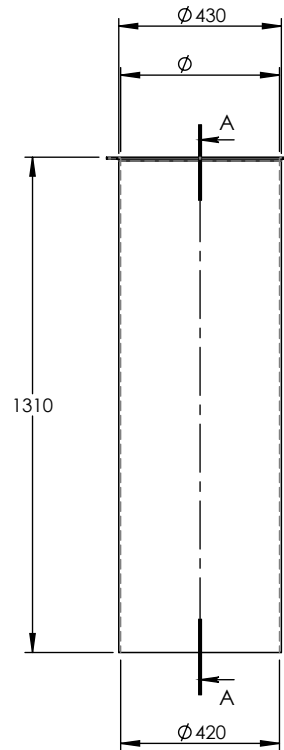
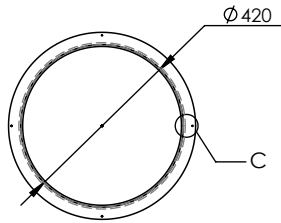
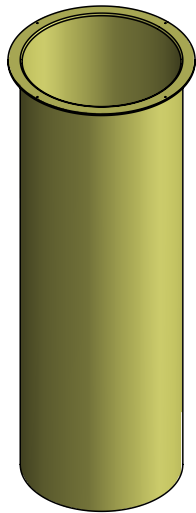
SHEET. 1 OF 1

A4

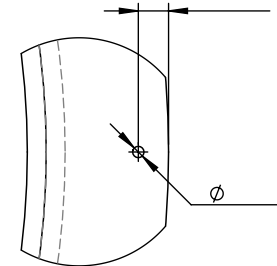
Property of Wastech Engineering PTY LTD.  
 The design is not to be copied or reproduced without  
 written approval from Wastech Engineering.



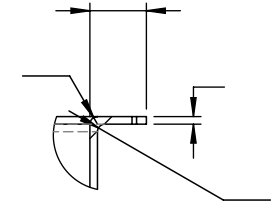
33 Wedgewood Rd, Hallam  
 Victoria, Aust, 3803  
 Ph: +61 3 8787 1600  
 Fax: +61 3 8787 1670



SECTION A-A



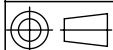
DETAIL C  
SCALE 1 : 2



DETAIL B  
SCALE 1 : 5

TOLERANCES UNLESS OTHERWISE SPECIFIED:

UP TO 10 ± 0.25  
 OVER 10 UP TO 100 ± 0.5  
 OVER 100 ± 1  
 ALL ANGLES ± 1°



DRAFTING STANDARD  
 AS1100 - 1992

All Welds to A.S. 1554

MATERIAL: LLDPE  
 LL705

DRAWN: DN

CHECKED: S.F.

DATE: 16/05/2018

MASS: 70.05

TITLE:

TRANSITION CHUTE 400 I.D.  
 SMOOTH TUBE  
 WASTECH ENGINEERING

SCALE: 1:20

File: 70.38.26

REV.

SHEET.

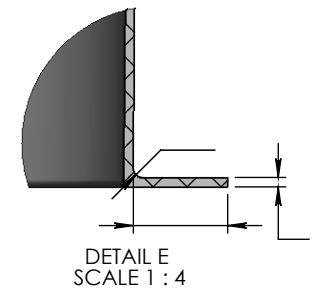
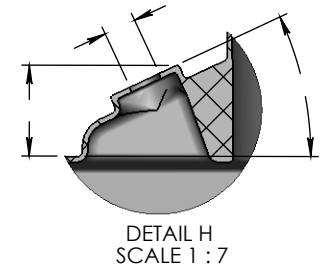
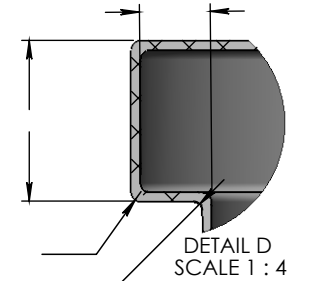
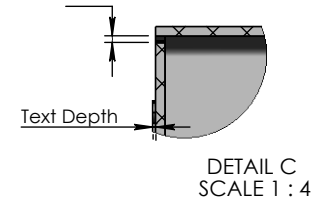
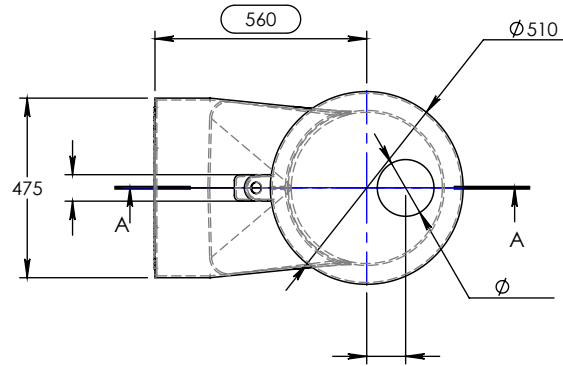
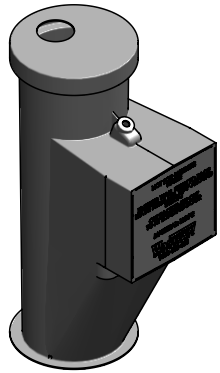
1 OF 1

A4

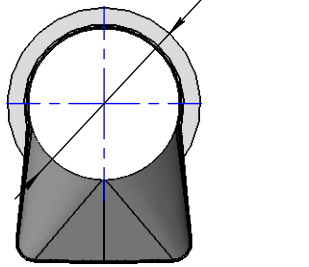
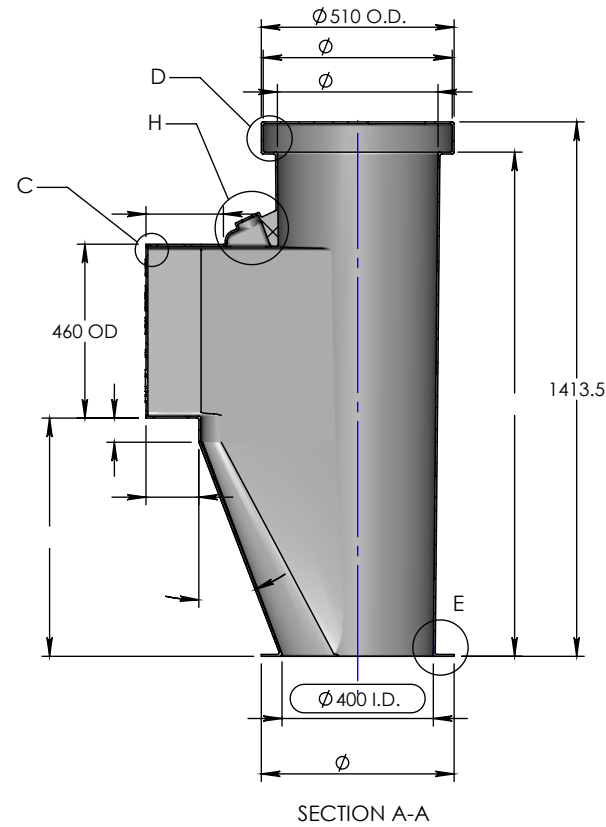
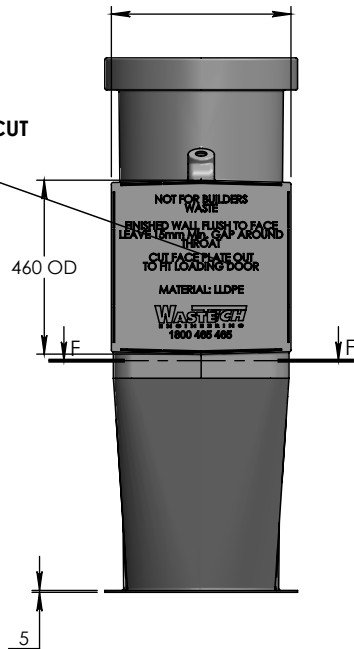
Property of Wastech Engineering PTY LTD.  
 The design is not to be copied or reproduced without  
 written approval from Wastech Engineering.

**WASTECH**  
 ENGINEERING

33 Wedgewood Rd, Hallam  
 Victoria, Aust, 3803  
 Ph: +61 3 8787 1600  
 Fax: +61 3 8787 1670



480X460 FRONT CUT  
OUT



SECTION F-F

TOLERANCES UNLESS OTHERWISE SPECIFIED:  
 UP TO 10 ± 0.25  
 OVER 10 UP TO 100 ± 0.5  
 OVER 100 ± 1  
 ALL ANGLES ± 1°



DRAFTING STANDARD  
AS1100 - 1992

All Welds to A.S. 1554

MATERIAL: LLDPE LL705

DRAWN: DN

CHECKED: S.F.

DATE: 23-06-2014

MASS: 14.16

FINISH: NATURAL

TITLE: SMOOTH TUBE THROAT 400 I.D.  
WASTECH ENGINEERING

SCALE: 1:20  
File: 70.38.27

REV. 0  
SHEET. 1 OF 1

A4

Property of Wastech Engineering PTY LTD.  
The design is not to be copied or reproduced without  
written approval from Wastech Engineering.

**WASTECH**  
ENGINEERING

33 Wedgewood Rd, Hallam  
Victoria, Aust, 3803  
Ph: +61 3 8787 1600  
Fax: +61 3 8787 1670