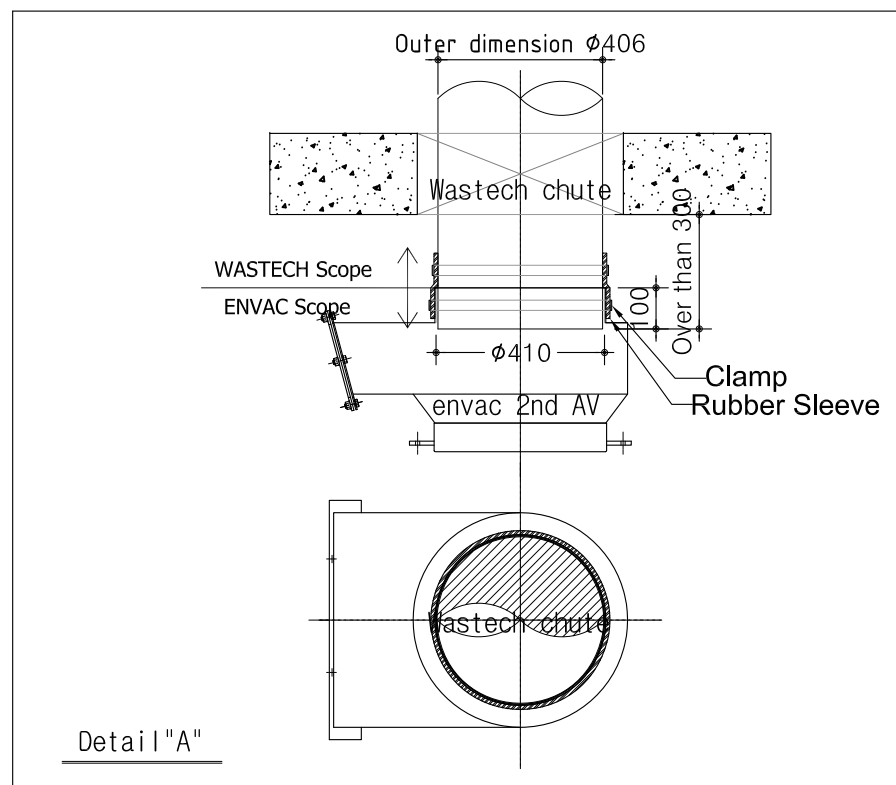
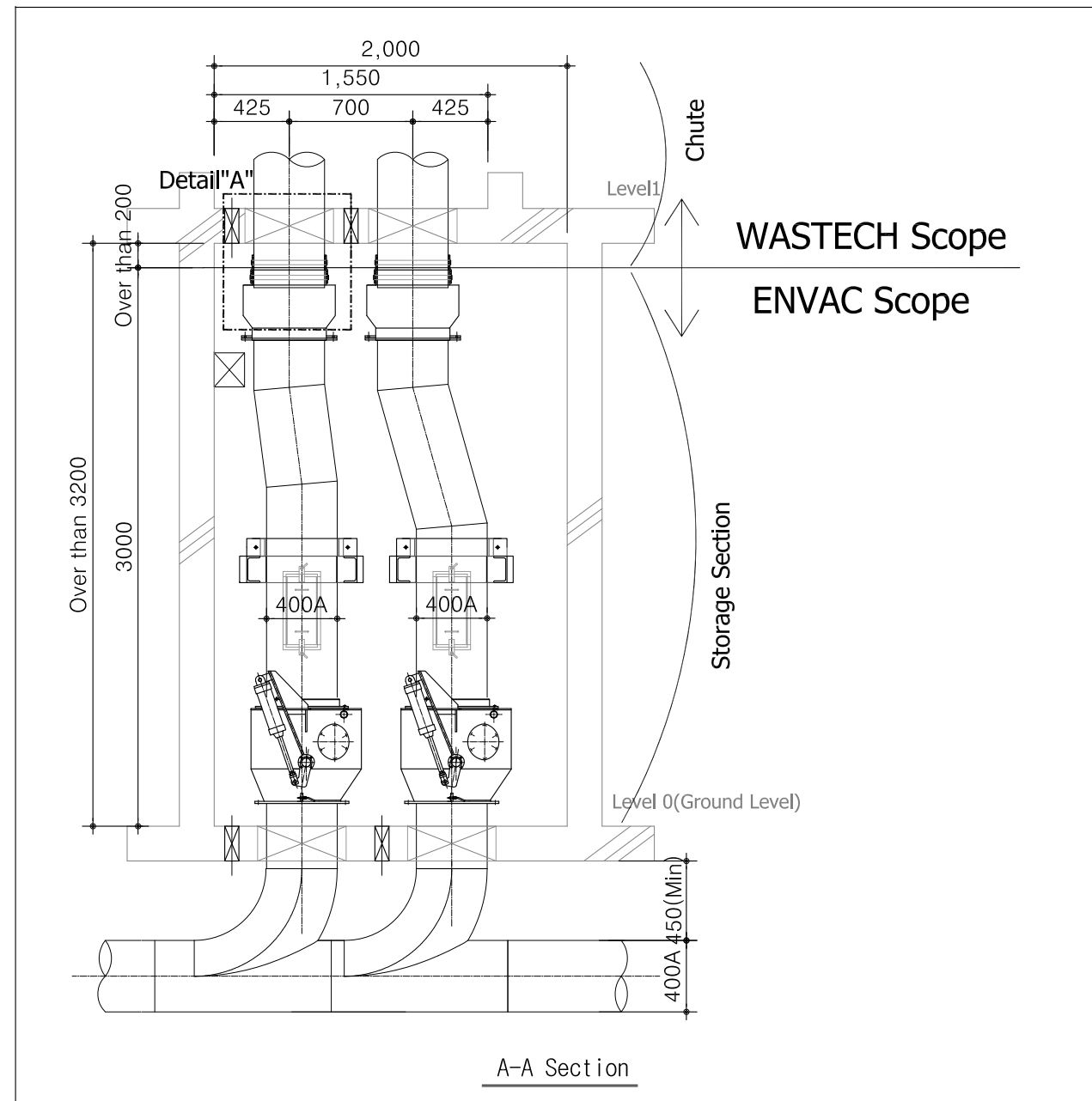
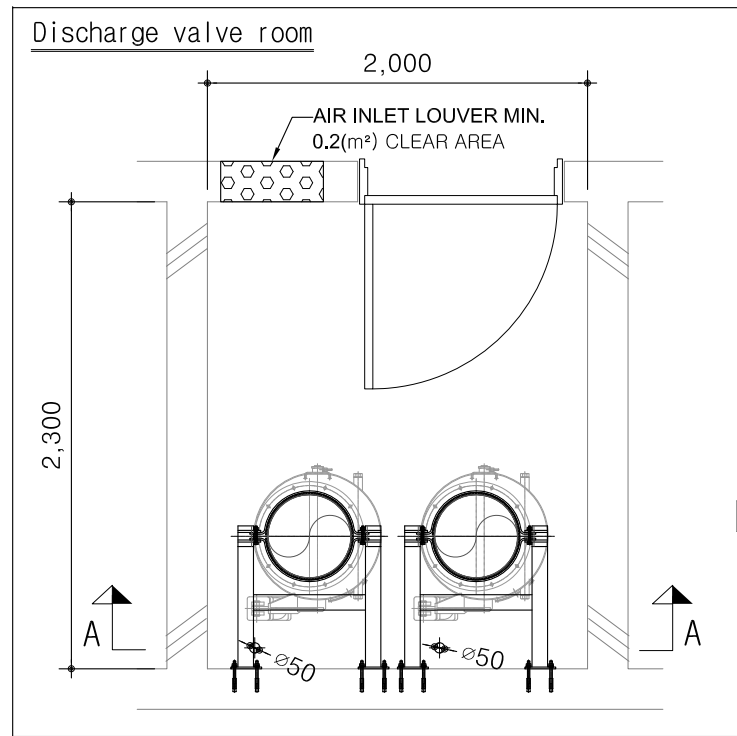


A4. Discharge valve standard drawing (2 fractions)

S = 1/None



Connection Method : Insert type

WASTECH : The connecting part should extended 100mm into inside of ENVAC 2nd AV part as indicated in the drawing.

ENVAC : From Envac 2nd AV including clamp and rubber sleeve for connection, and other equipment located below Wnvac 2nd AV are to be prepared by ENVAC.

This drawing remains our property and should not be copied without our written allowance. Nor it is permitted to show or give this to a third person. Contravention will be prosecuted with the support of the existing law.

REV.	DESCRIPTION	SIGN.	DATE

Automatic Waste Collection System
SUNCENTRAL MAROOCHYDORE



A4. Discharge valve standard drawing (2 fractions)

DESIGN.	DRAWN	SCALE	1: NONE	FILE NAME.
DATE	APPR.	DEPT.		A NO.

STATUS	
CONT.SH.	SHEET -
DWG.NO.	REV. -