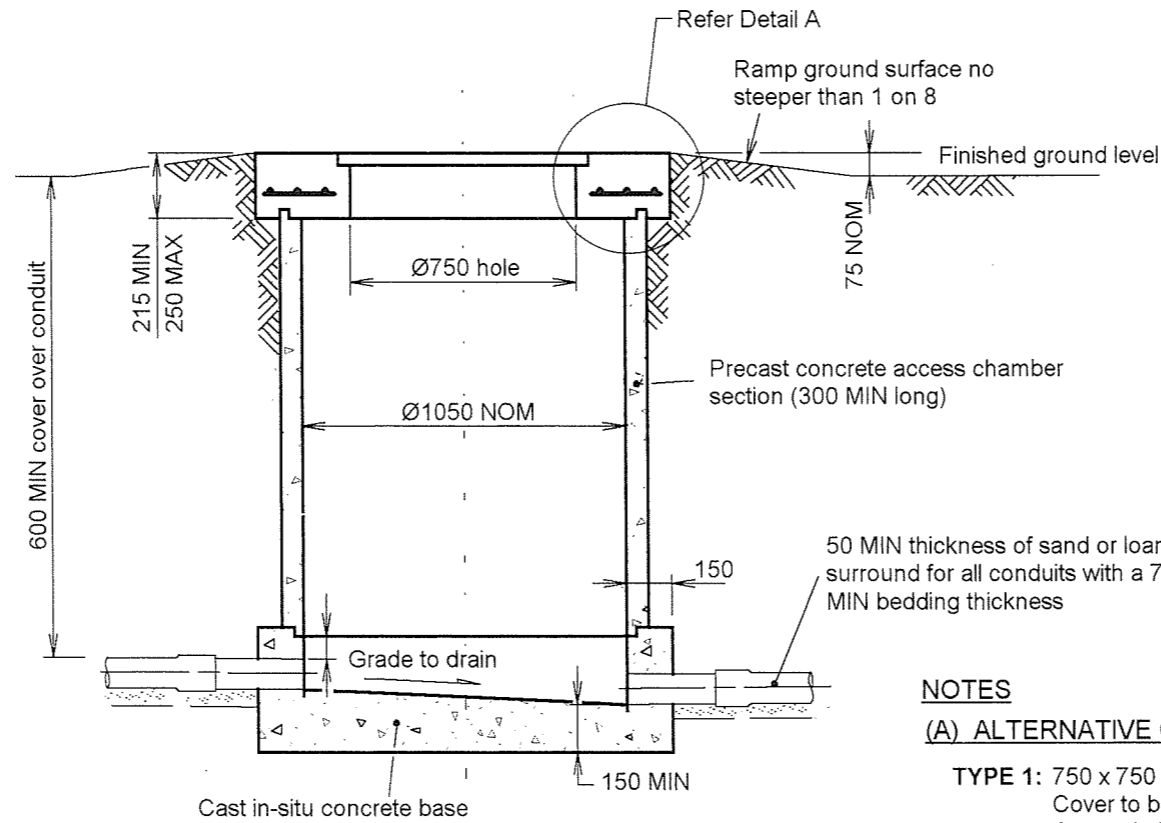
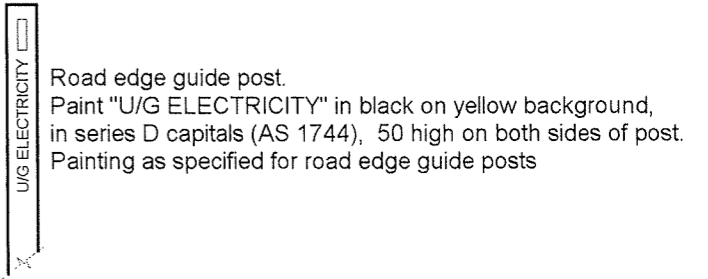


PLAN

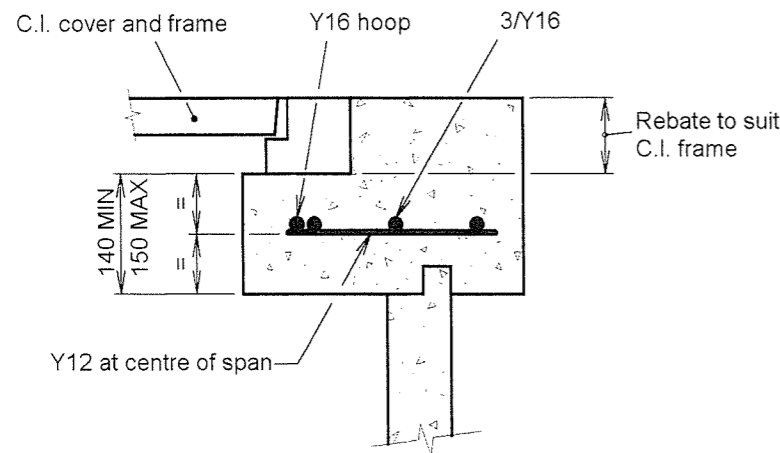


SECTION A-A



DETAIL OF SIGN

Provide where specified



DETAIL A

TYPE 1
CABLE DRAWING PIT

NOTES

(A) ALTERNATIVE CHAMBERS/PITS

TYPE 1: 750 x 750 clear opening C.I. cover and frame including warning plate reading "ELEC". Cover to be concrete filled on site. ("Gatic" light duty or "Faston SPC / MS8" or similar approved type). Cover shall be installed in accordance with the manufacturer's instructions. The cover and frame shall be strapped together and wedged tight before concreting in place with fine aggregate concrete. Cover Class C to AS 3996. Concrete N32 in accordance with AS 1379 and AS 3600. Pit has been designed for a wheel load of 5kN.

TYPE 2: 'EVERHARD', DIA. 1050 or 1200 Precast concrete inspection chambers with C.I. cover and frame.

TYPE 3: 'VIPIT' moulded HDPE cable jointing pits with precast concrete covers.

TYPE 4: 'POLYPIT' (polymer concrete), cable jointing and drawing pit.

(B) GENERAL

1. Covers in trafficable areas Class D, non trafficable areas Class C, to AS 3996.
2. Place U/G ELECTRICITY sign adjacent to the pit where directed by the Superintendent.
3. Grade conduits through pits - provide drainage pipe, complete with approved flap valve from lowest pit, refer Project Drawings.
4. Cover to be placed parallel to adjacent structures.
5. Where multiple layers of conduits are required the cast-in situ concrete base shall encompass all conduits.
6. Notwithstanding the above requirements, space conduits as shown on the Project Drawings or as specified in the Job Specification.
7. Refer project drawings for specific pit requirements.
8. All dimensions in millimetres.

B	Flared ends omitted & concrete to N32	16/1/97
A	ORIGINAL ISSUE	8/12/95
REVISIONS		DATE

© INSTITUTE OF MUNICIPAL ENGINEERING AUSTRALIA QUEENSLAND DIVISION INC. - 1995
 DISCLAIMER. The authors and sponsoring organisations shall have no liability or responsibility to the user or any other person or entity with respect to any liability, loss or damage caused or alleged to be caused, directly or indirectly, by the adoption and use of these Standard Drawings including, but not limited to, any interruption of service, loss of business or anticipatory profits, or consequential damages resulting from the use of these Standard Drawings. Persons must not rely on these Standard Drawings as the equivalent of, or a substitute for, project-specific design and assessment by an appropriately qualified professional.



ELECTRICAL
 CABLE DRAWING PITS

GENERAL
 Standard
 Drawing
 G-0030

A	B		
---	---	--	--